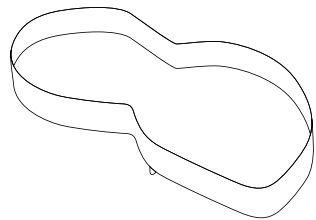
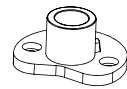


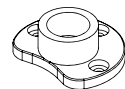
### 1 COMPONENTS



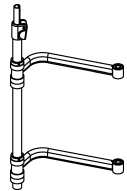
A 2PCS



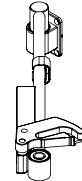
E 1PCS



F 1PCS



G 1PCS



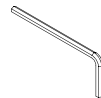
H 2PCS



I 1PCS



J 4PCS



O 1PCS



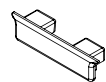
K 8PCS  
(M5\*10)



L 4PCS  
(6\*16)



M 15PCS  
(ST4\*14)

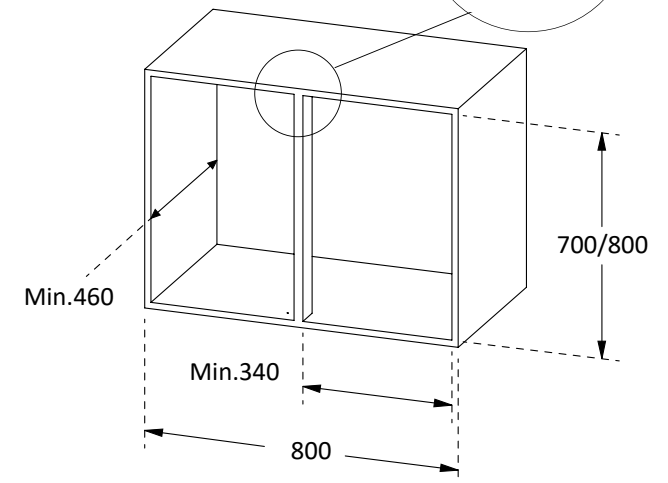
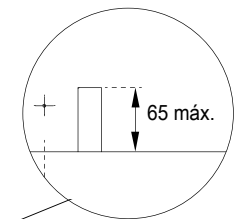
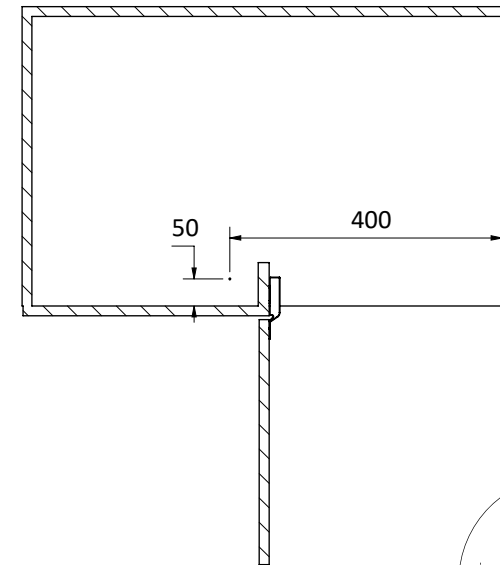
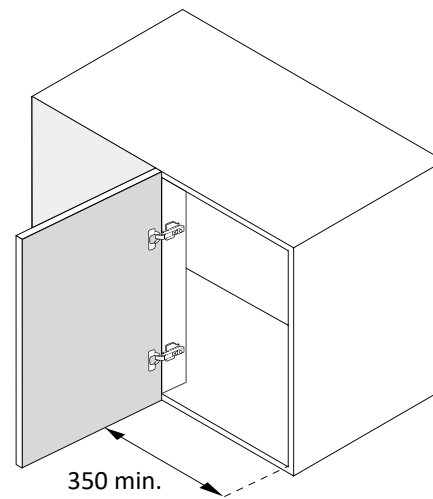


N 1PCS

### 2 INSTALLATION

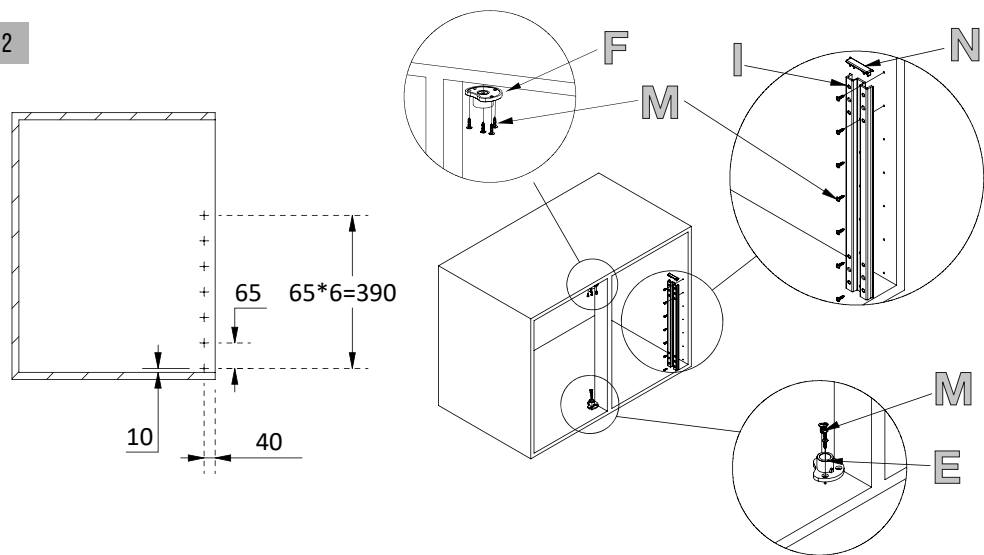
#### 1 PRE DRILLING ON CABINET

HINGE  
110°

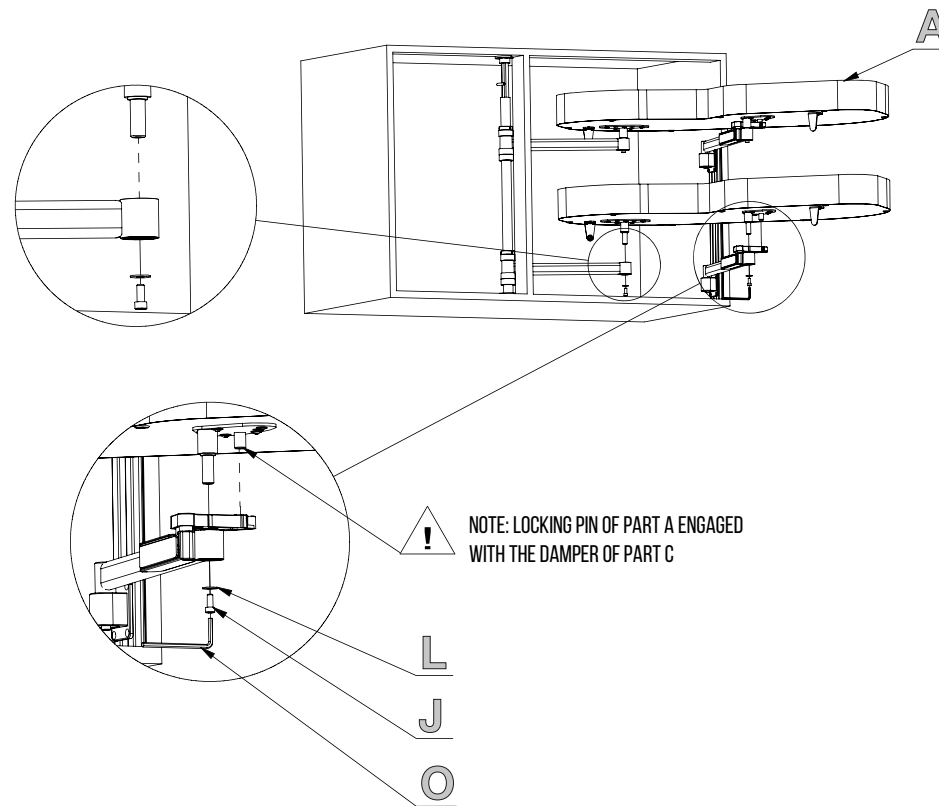


# INSTALLATION

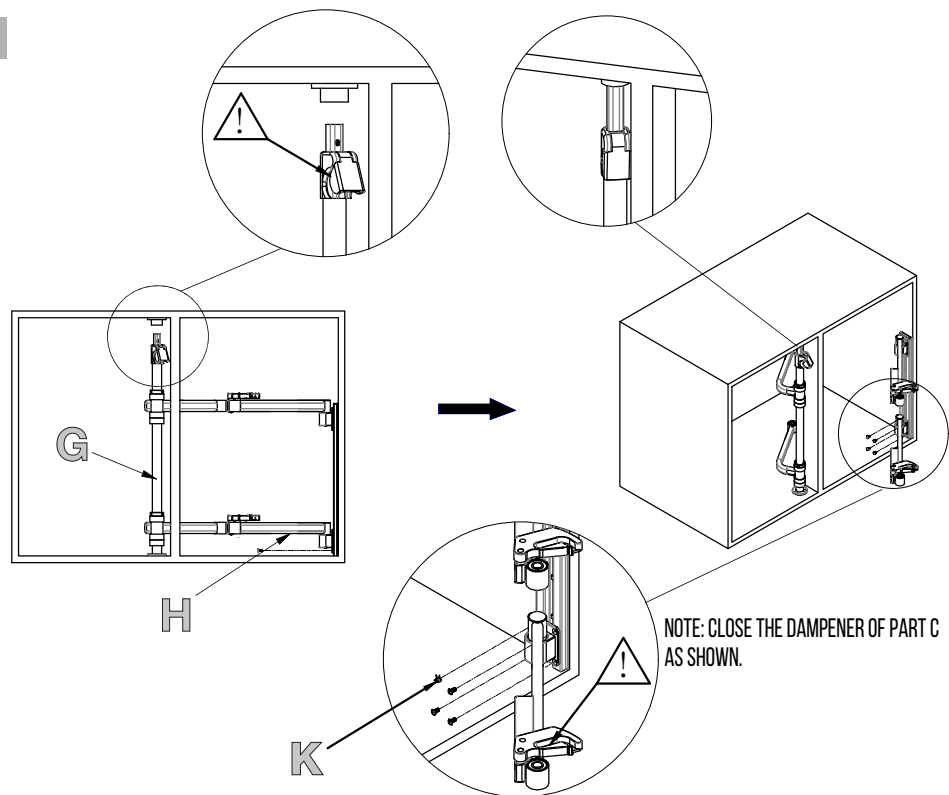
2



4



3



5

